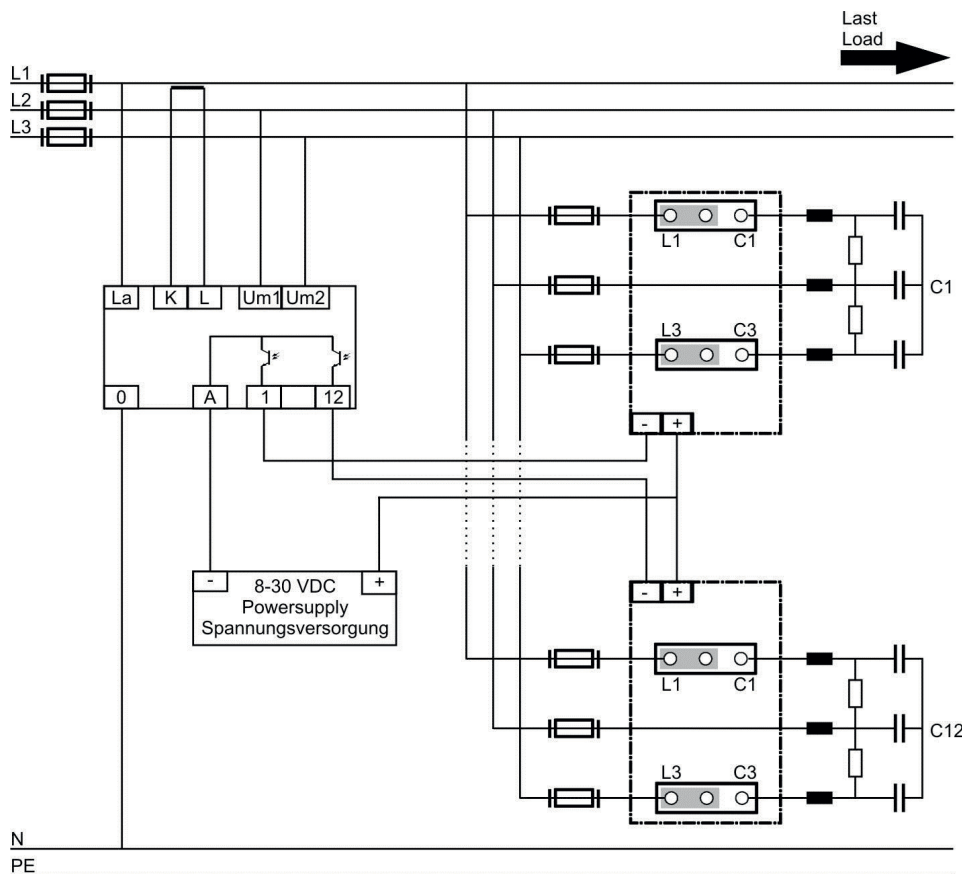
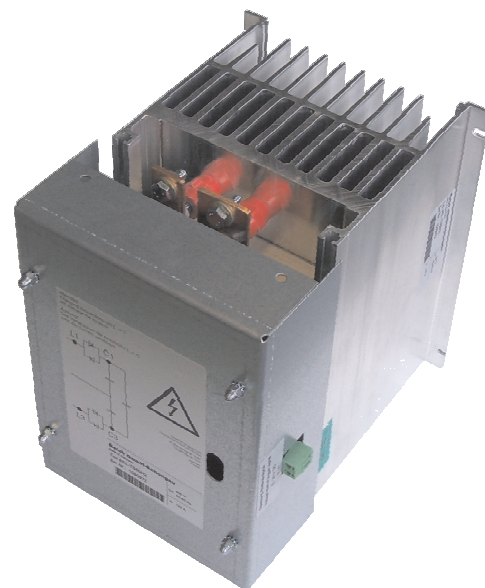


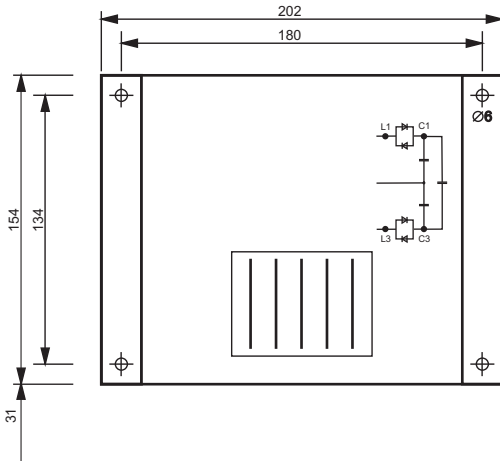
## Thyristor switch for rapid switching of capacitors in LV-grid

- Switching without inrush current, smooth disconnecting
- Rapid switching
- Can be used in chocked capacitor banks and unchocked as well
- Depending on the type for max. voltage 525V or 690V
- Recovery time 20ms
- Voltage level trigger signal 8 – 30V DC
- Protection class IP00



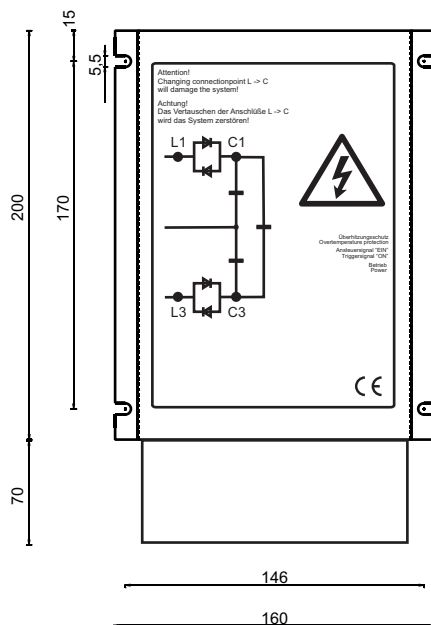
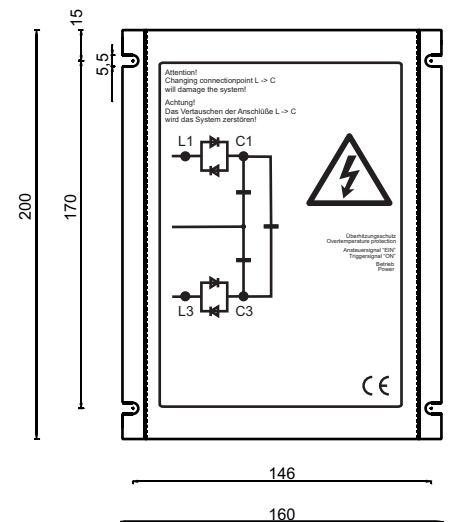
Description	Type
Static contactor without fan, $I_N = 22A$ , $U_{nominal} = 400V/440V/480V$	BEL-TS 15H2
Static contactor without fan, $I_N = 36A$ , $U_{nominal} = 400V/440V/480V$	BEL-TS 25H2
Static contactor without fan, $I_N = 72A$ , $U_{nominal} = 400V/440V/480V$	BEL-TS 50H2
Static contactor without fan, $I_N = 42A$ , $U_{nominal} = 690V$	BEL-TS 50
Static contactor with fan, $I_N = 110A$ , $U_{nominal} = 400V/440V/480V$	BEL-TS 75H2
Static contactor with fan, $I_N = 145A$ , $U_{nominal} = 400V/440V/480V$	BEL-TS100H2
Static contactor with fan, $I_N = 84A$ , $U_{nominal} = 690V$	BEL-TS100
Static contactor with fan, $I_N = 250A$ , $U_{nominal} = 690V/800V$	BEL-TS300H2
Static contactor with fan, $I_N = 250A$ , $U_{nominal} = 690V$	BEL-TS300

# THYRISTOR-SWITCHES FOR SWITCHING CAPACITORS



Nominal power	15kvar		
Nominal voltage / V (+/-10%)	400	440	480
Nominal current / A	22	20	18
Switched phases	2, semi-controlled		
Dimensions H x W x D / mm	188 x 202 x 200		
Weight / kg	2,9		
Thermal losses / W	41	37	33
Cooling	AN, air natural		
Degree of protection	IP20		

Nominal power	25kvar			50kvar		
Nominal voltage / V (+/-10%)	400	440	480	400	440	480
Nominal current / A	36	33	30	72	66	60
Switched phases	2, semi-controlled					
Dimensions H x W x D / mm	200 x 160 x 215					
Weight / kg	4,3					
Thermal losses / W	68	61	52	122	111	104
Cooling	AN, air natural					
Degree of protection	IP10					



Nominal power	75kvar			100kvar		125kvar	
Nominal voltage / V (+/-10%)	400	440	480	400	440	480	480
Nominal current / A	109	99	90	144	131	120	150
Switched phases	2, semi-controlled						
Dimensions H x W x D / mm	270 x 160 x 215						
Weight / kg	5,6						
Thermal losses / W	205	184	172	250	224	244	261
Cooling	AF, air forced (please specify fan voltage in P/O)						
Degree of protection	IP10						

Discharging of capacitors	Fast discharging reactors are not allowed to use! Please consider the high voltage level of capacitors when dimensioning of discharging resistors!
Recovery time	typically after one periode
Supply voltage	taken directly from power connection (optional is separate supply available)
Consumption of supply	max. 9VA
Voltage level trigger signal	8 - 30V DC
Consumption trigger signal	2mA at 12V DC
Altitude	1000m above sealevel (above this, using with power derating is possible)
Ambient temperature	-10 °C - 45°C (at ambient temp. upto +65°C operation with power derating is possible)
Humidity	10% - 95% (without moisture condensation)