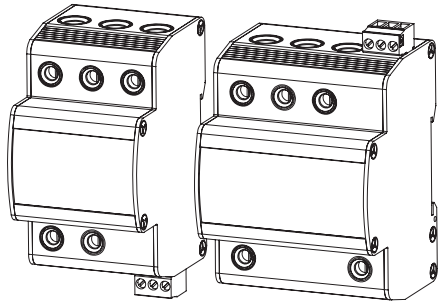


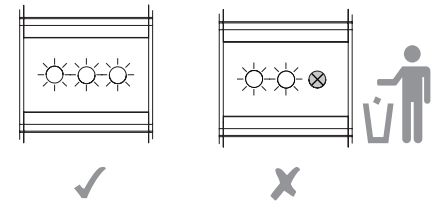
# Novaris®

## Three Phase DINsafe Surge Diverters

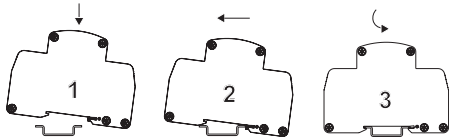


0027-D4V4

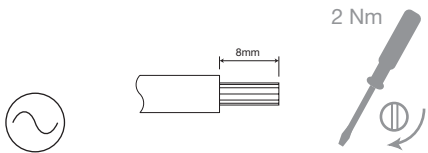
Uc	~275V
Up (AS/NZS)	< 800V
# Ports	One
t <sub>A</sub>	< 5ns
Protection	L-N, N-PE
I <sub>PE</sub>	< 1uA
Mounting	TS35 DIN rail
Location	Indoor
Environmental	IP20
	-40° to +70°C 5 to 95% (non-condensing)



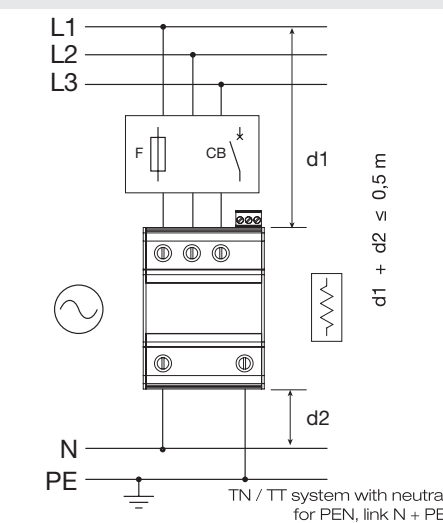
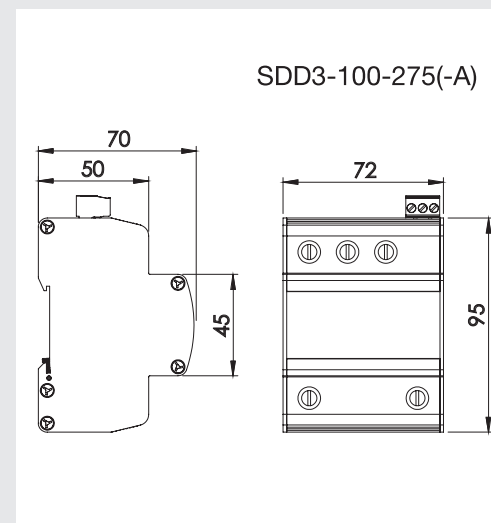
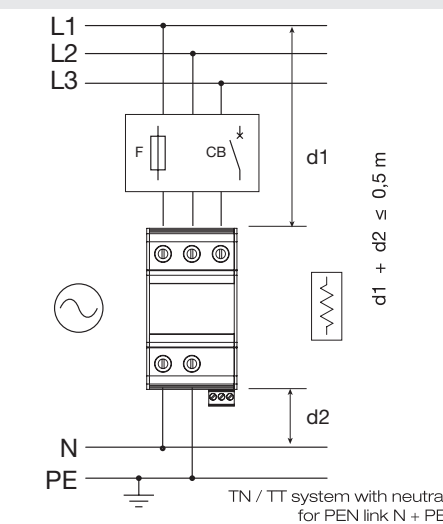
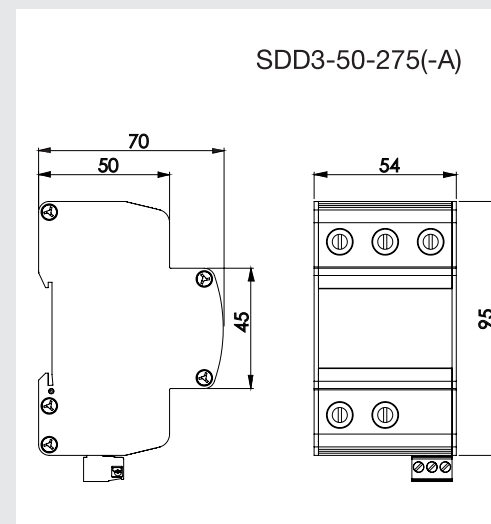
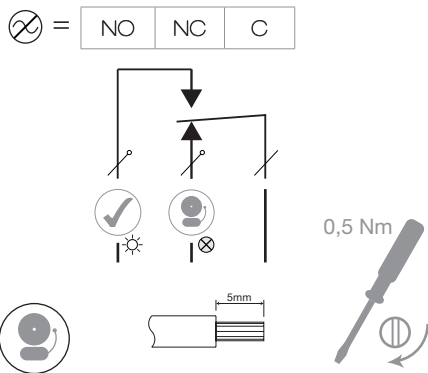
IEC 61643-11 EN 61643-11 DIN VDE 0675-6-11 AS/NZS 1768 IEEE C62.41	class II type 2 class C categories B, C categories B, C
--	---



Power	
min L, N, PE	2,5 mm <sup>2</sup>
max L, N, PE	16 mm <sup>2</sup>



Alarm	
C, NC, NO	≤ 2,5 mm <sup>2</sup>



Product Code	L-N I <sub>max</sub> Max. impulse 1x 8/20us	L-N I <sub>n</sub> Nom. impulse 15 x 8/20us	N-PE I <sub>n</sub> Nom. impulse 15 x 8/20us	I <sub>SCCR</sub> Max. switchboard fault rating	F max Max. Fuse at I <sub>SCCR</sub>	CB max Max. CB at I <sub>SCCR</sub>	Alarm	Weight
SDD3-50-275	50kA	20kA	15kA	25kA	32 A gL/gG	20 A "C"		355g
SDD3-50-275-A	50kA	20kA	15kA	25kA	32 A gL/gG	20 A "C"		370g
SDD3-100-275	100kA	40kA	40kA	50kA	63 A gL/gG	40 A "C"		485g
SDD3-100-275-A	100kA	40kA	40kA	50kA	63 A gL/gG	40 A "C"		495g