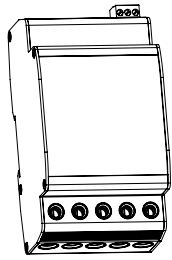


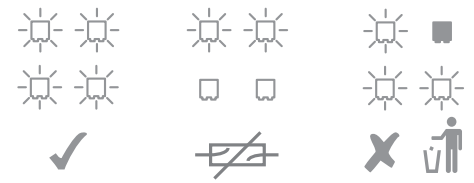
Novaris®

HSG Three Phase Hybrid Spark Gap



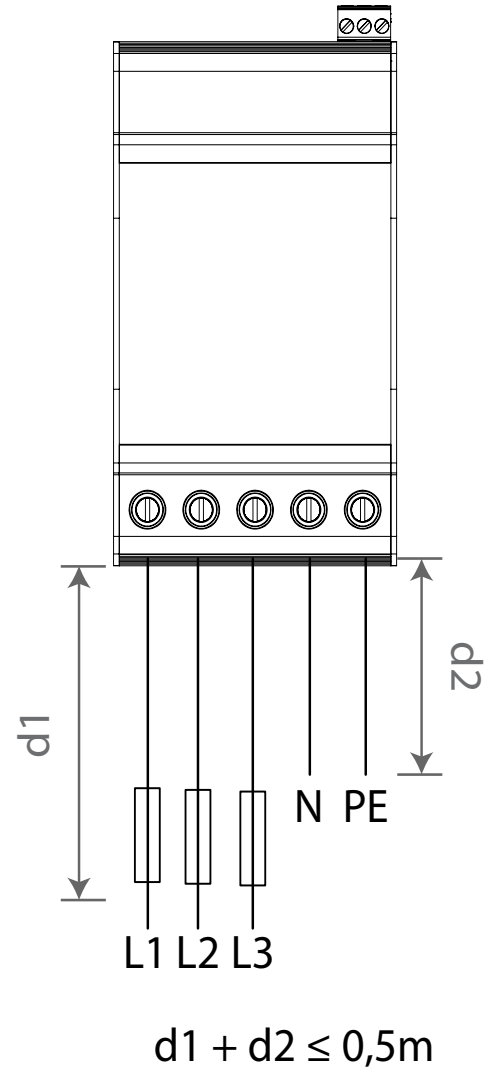
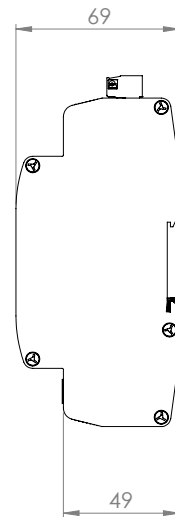
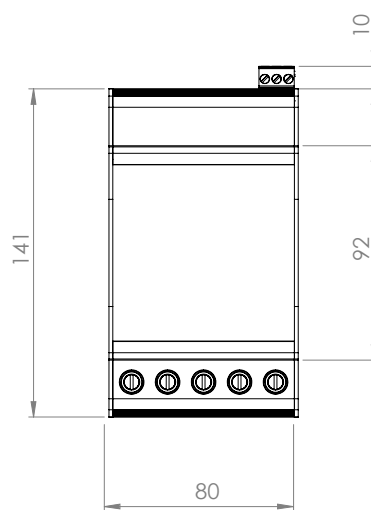
0062-D6V1

U_0	230 V
# Ports	One
I_{SCCR}	25 kA if $I_{max} < 200$ kA 50 kA if $I_{max} > 200$ kA
I_{PE}	< 10uA
Mounting	TS35 DIN rail
Location	Indoor
Environmental	IP20
	-40 to +70 °C 5 to 95% (non-condensing)

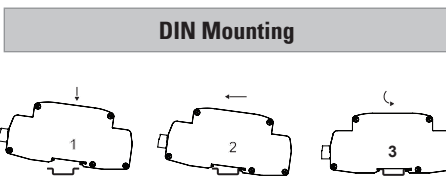


- Replace defective product
- Recycle according to national rules for recycling of electronic products

Terminal Information		
Terminal Type		
min Capacity	2.5 mm ²	0.5 mm ²
max Capacity	16 mm ²	2.5 mm ²
Torque	2 Nm	0.6 Nm
Wire Stripping Length		



Alarm		
	11-12 open 11-14 closed	✓
	11-12 closed 11-14 open	✗



Product Series

HSG3 - yyy - zzz

I_{max} U_c

L-N I_{max} Max. impulse 1x 8/20us	L-N I_n Nom. impulse 15 x 8/20us	N-PE I_{max} Max. impulse 1x 8/20us	N-PE I_n Nom. impulse 15 x 8/20us	F max Max. Fuse at I_{SCCR}
100kA	40kA	100kA	60kA	63 A gG