
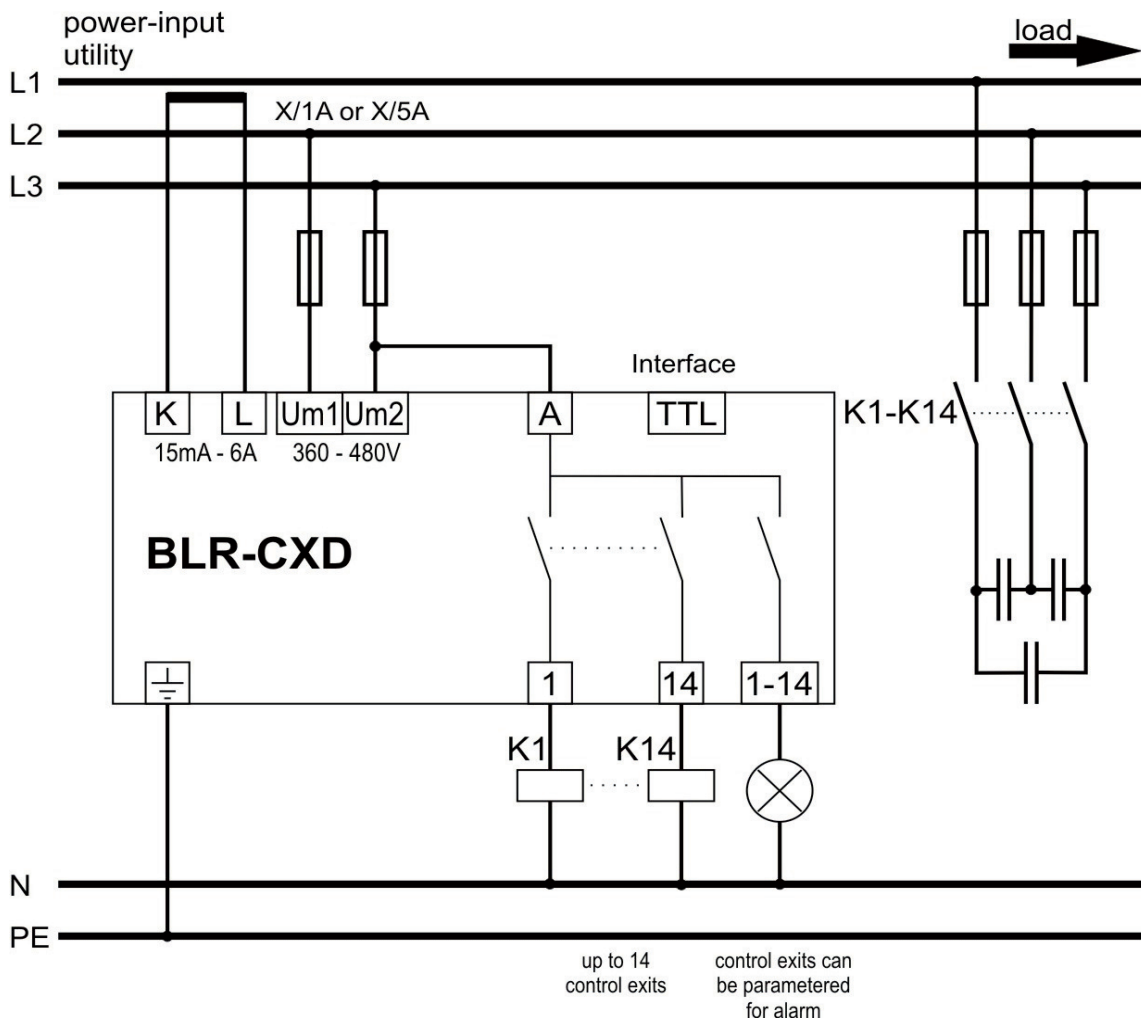


Microprocessor controlled “TAMPER PROOF” power factor control relay

- Start menu for easy commissioning with no programming or set up needed
- Automatic detection and correction of the phase of current and voltage connection under ‘Ai” mode
- Fully-automatic c/k-value setting, self adapting, connection of different capacitor step sizes possible, with usage of the optimum capacitor step
- Switching program operates in best fit, with even wear and tear or equal rated steps
- Capable for 4-quadrant operation
- Supply voltage is taken from voltage measurement, input of 360V to 480V, AC, 45Hz to 65 Hz
- Connection with pluggable screw terminals
- LCD display with backlight, and auto-scrolling of Voltage L-L, Displacement PF, Cos-Phi and THD-V
- Instrument casing 144x144mm for cutout 138 x 138mm, depth 49mm
- Protection class IP20 (casing), IP50 (front)
- THD monitoring and facility to trip based on defined threshold
- Three decimal power factor display makes for accurate monitoring



Measuring and supply voltage:	360V – 480V AC, 45-65HZ, 5VA, max. fuse 6A
Current measuring:	15mA – 6A, single phase, burden 20mOhm,
Control Outputs:	Up to 14 relays, n/o, with common point, max. fuse 6A breaking capacity: 250V AC / 5A (or) 400V AC / 2A
Interface:	TTL, rear
Ambient temperature:	Operation: -20°C ... +70°C, storage: -40°C ... +85°C
Humidity:	0% - 95%, without moisture condensation
Voltage class:	II, dirt class 3 (DIN VDE 0110, part 1 / IEC60664-1)
Standards:	DIN VDE 0110 part 1 (IEC 60664-1:1992) VDE 0411 part 1 (DIN EN 61010-1 / IEC 61010-1:2001) VDE 0843 part 20 (DIN EN 61326 / IEC 61326: 1997 + A1:1998 +A2: 2000)
Conformity and listing:	
Connection	Pluggable terminal block, screw type max. 4sq.mm
Case:	Front: instrument case PC/ABS (UL94-VO), Rear: metal
Protection class:	Front: IP50 Rear: IP20
Weight:	ca. 0,6kg
Dimension:	144x144x58mm h x w x d, cut out 138 (+0,5) x 138 (+0,5)mm



Description	Type
Power Factor Controller BLR-CXD 04 relay outputs	CXD 04R
Power Factor Controller BLR-CXD 06 relay outputs	CXD 06R
Power Factor Controller BLR-CXD 08 relay outputs	CXD 08R
Power Factor Controller BLR-CXD 10 relay outputs	CXD 10R
Power Factor Controller BLR-CXD 12 relay outputs	CXD 12R
Power Factor Controller BLR-CXD 14 relay outputs	CXD 14R

Options and accessories	
Communication module TTL-RS485/USB (internal)	-MB
Communication module TTL-RS485/USB (separate)	3USB