



Perfect. From design
to performance

LT POWER CAPACITORS

- ✦ **Compact design with high outputs up to 30 kvar**
- ✦ **Optimized diameter and height for excellent heat dissipation**
- ✦ **Stacked assembled winding elements reduce risk of device breakdown**
- ✦ **Highest over-current capability up to 3 times rated current**
- ✦ **Highest inrush current capability of 300 times rated current**
- ✦ **Life expectancy of > 130,000 operating hours**
- ✦ **Recommended for power factor correction in low-voltage**
- ✦ **Applications ≤ 1000 V**
- ✦ **Over Current of 1.8 x In**
- ✦ **Inrush current of 250 x In**

Standards	IEC 60831-1+2, EN 60831-1+2, IS 13340
Over-voltages (in accordance with the above standards)	Ucn + 10% (up to 8 hours daily), Ucn + 15 % (up to 30 minutes daily) Ucn + 20 % (up to 5 minutes), Ucn + 30 % (up to 1 minute)
Tolerances on capacitance	± 5 %
Routine test voltage,terminal/terminal	2.15 x Ucn, AC, 2 seconds
Losses	< 0.25..... < 0.45 W/kVAr
Degree of protection	IP00 (terminal cover for higher protection class, for instance IP20, IP54 upon request), indoor mounting
Permitted casing temperature	Max. 65 °C (measured on top of the can)
Cooling	Naturally air-cooled
Permissible relative humidity	Maximum 95 %
Maximum allowed altitude	2000 m above sea level
Mounting position	Vertical and horizontal
Mounting and grounding	Threaded M 12 stud at the bottom of the container, max, torque 10 Nm
Safety features	ALL-PHASE over pressure tear-off fuse (irreversible current interruption), self-healing film technology
Casing	Aluminum
Dielectric	Polypropylene film, self-healing
Filling agent	Dry (gas filled)

processtechnique.com



BELUK

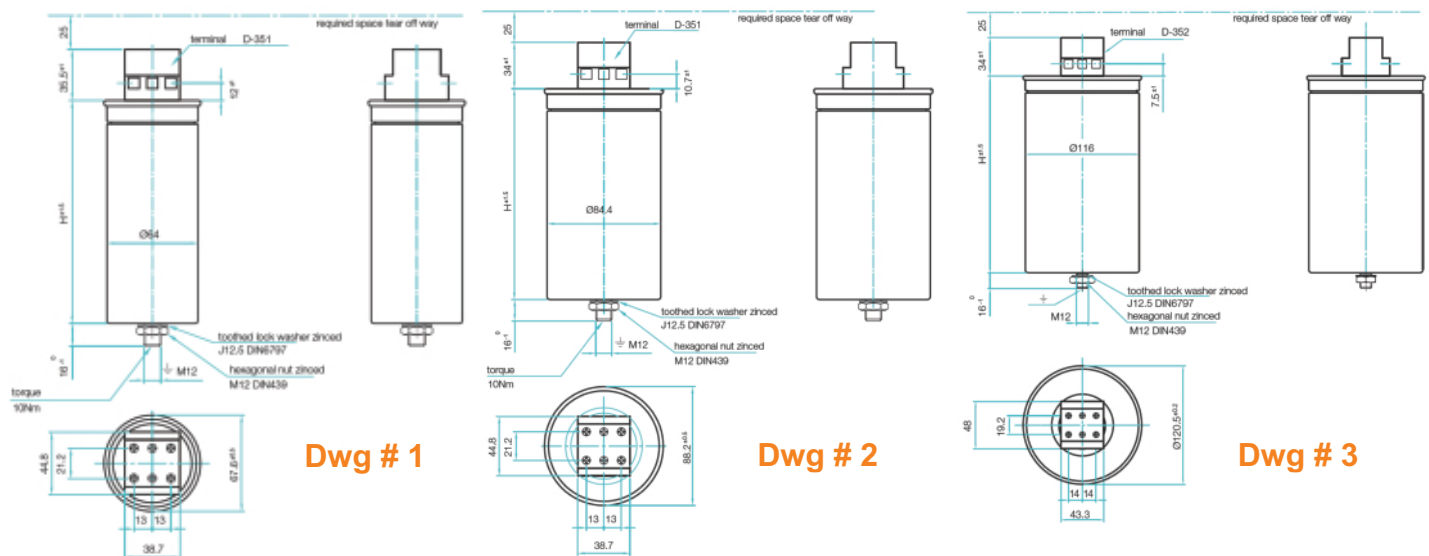
making energy matter
accurate POWER FACTOR control

440 V/415 V, 50Hz, 3-Phase, Delta Connection; IP20

Type	output kVAR (440 V)	output kVAR (415 V)	Capacitance (μF)	Current Amp (440 V / 415V)	Dia (mm)	Height (mm)	Weight (kg)	Drawing
BELg-440.3.03.00.64	3	2.7	3 x 6.5	3.9/3.7	64	130	0.4	1
BELg-440.3.04.00.64	4	3.6	3 x 21.9	5.2/4.9	64	160	0.5	1
BELg-440.3.05.00.64	5	4.4	3 x 27.4	6.6/6.1	64	190	0.6	1
BELg-440.3.06.00.64	6	5.3	3 x 32.9	7.9/7.4	64	190	0.6	1
BELg-440.3.06.70.64	6.7	6	3 x 36.7	8.8/8.3	64	190	0.6	1
BELg-440.3.07.50.64	7.5	6.7	3 x 41.1	9.8/9.3	64	190	0.6	1
BELg-440.3.08.33.64	8.33	7.4	3 x 45.7	10.9/10.3	64	190	0.6	1
BELg-440.3.09.00.64	9	8	3 x 49.3	11.8/11.1	64	190	0.6	1
BELg-440.3.10.00.64	10	8.9	3 x 54.8	13.1/12.4	64	265	0.8	1
BELg-440.3.11.20.64	11.2	10	3 x 61.4	14.7/13.9	64	265	0.8	1
BELg-440.3.12.50.64	12.5	11.1	3 x 68.5	16.4/15.4	84.4	190	1.1	2
BELg-440.3.14.00.64	14	12.5	3 x 76.7	18.4/17.4	84.4	190	1.1	2
BELg-440.3.15.00.84	15	13.3	3 x 82.2	19.7/18.5	84.4	190	1.1	2
BELg-440.3.16.90.84	16.9	15	3 x 92.6	22.2/20.9	84.4	190	1.2	2
BELg-440.3.18.80.84	18.8	16.7	3 x 103	24.7/23.2	84.4	265	1.3	2
BELg-440.3.20.00.84	20	17.8	3 x 109.6	26.2/24.8	84.4	265	1.4	2
BELg-440.3.22.50.84	22.5	20	3 x 123.3	29.5/27.8	84.4	265	1.4	2
BELg-440.3.25.00.84	25	22.2	3 x 137	32.8/30.9	84.4	265	1.5	2
BELg-440.3.28.00.84	28.1	25	3 x 154	36.9/34.7	84.4	265	1.5	2
BELg-440.3.30.00.84	30	26.7	3 x 164.4	39.4/37.1	84.4	340	1.8	2

525 V/480 V, 50Hz, 3-Phase, Delta Connection; IP20

Type	output kVAR (525 V)	output kVAR (480 V)	Capacitance (μF)	Current Amp (525 V / 480V)	Dia (mm)	Height (mm)	Weight (kg)	Drawing
BELg-525.3.05.00.84	5	4.2	3 x 19.2	5.5/5.0	64	190	0.6	1
BELg-525.3.08.33.64	8.33	7	3 x 32.1	9.2/8.4	64	190	0.6	1
BELg-525.3.10.00.64	10	8.33	3 x 38.5	11.0/10.1	84.4	190	0.8	2
BELg-525.3.12.50.64	12.5	10.4	3 x 48.1	13.7/12.6	84.4	190	1.0	2
BELg-525.3.13.80.64	13.8	11.5	3 x 53.1	15.2/13.8	84.4	190	1.0	2
BELg-525.3.15.00.84	15	12.5	3 x 57.7	16.5/15.0	84.4	190	1.2	2
BELg-525.3.20.00.84	20	16.7	3 x 77	22.0/20.1	84.4	265	1.2	2
BELg-525.3.25.00.84	25	20.9	3 x 96.2	27.5/25.1	116	190	1.5	3
BELg-525.3.30.00.84	30	26.7	3 x 115.4	33.0/30.0	116	230	2.0	3



Process Technique Electronics (Pvt) Ltd

324 Konena Agrahara, Vimanapura, Bangalore 560 017. INDIA

Phone +91 80 2522 8895, 2522 3736. email : sales@processtechnique.com